

# UV222 Pendant

Adjustable height | 222 nm | 60° or 100° beam angle  
Programmable

## General product specifications

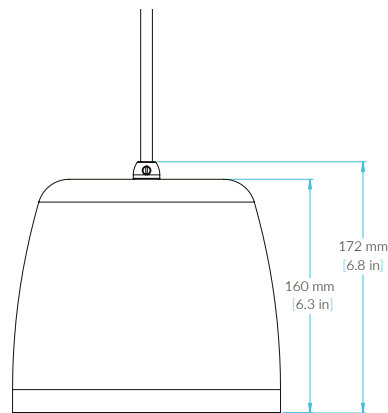
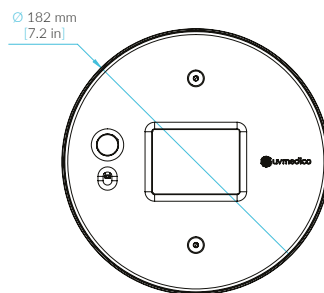
Light source	Krypton Chloride Excimer Lamp
Wavelength	222 nm
60° output	115 mW (Typical)
100° output	70 mW (Typical)
Input voltage	100–240 V AC 50/60 Hz
Mode	Continuous / duty cycle / motion activated
Max power consumption	20 W
Weight	2.3 kg (4.48 lbs)
Dimensions	Ø 182 mm x 172 mm (7.2 in x 6.8 in)
Power lead (nylon)	3 x 0.75 mm <sup>2</sup> / 5 m (18 AWG / 16.4 ft)
Operating temperature	0° to + 50° C (32° to 122° F)
Ambient humidity	5–90% RH (Non condensing)
Materials	1060 aluminum alloy, quartz glass <sup>1</sup>



1. Chemically-inert, non-porous, transparent quartz glass with high-temperature resistance.

# UV222 Pendant

## Gallery:



## In compliance with:

### International Standard

ISO 15858	UV-C Devices – Safety information – permissible human exposure.
IEC 62471	Photobiological safety of lamps and lamp systems.
IEC PAS 63313 ED1	Position statement on germicidal UV-C irradiation - UV-C safety guidelines (see Global Lighting Association).

### International Guidelines

ACGIH® (American Conference of Governmental Industrial Hygienists)	2021 and 2022 TLV (Threshold Limit Values) & BEI (Biological Exposure Indices) for chemical substances and physical agents.
--	---